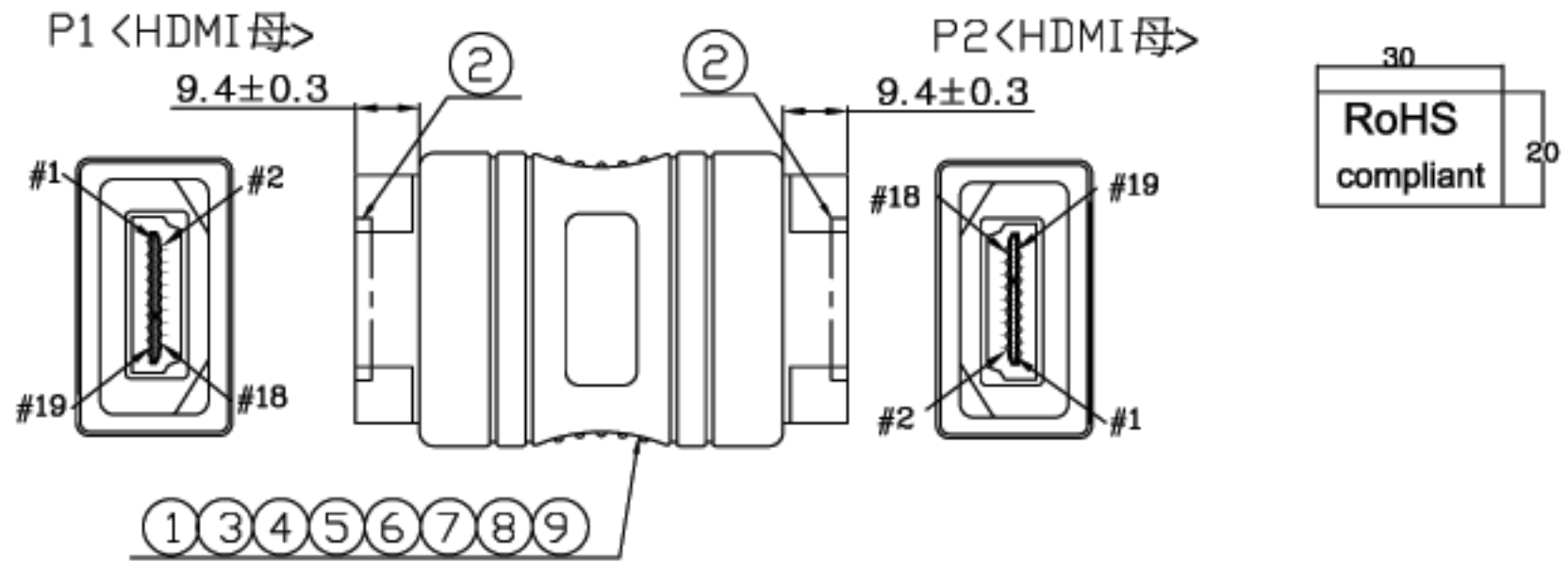


DESCRIPTION CONTROL			
REV	DESC	DATE	ECN NO



PIN ASSIGNMENT	
P1	P2
1	1
3	3
2	2
4	4
6	6
5	5
7	7
9	9
8	8
10	10
12	12
11	11
13	13
15	15
16	16
17	17
19	19
18	18
S	S

NO	TYPE	DESCRIPTION	QTY	UNIT
*	xxxxxx	LABEL:50*25MM (貼於膠袋中間及紙箱兩側左上角)	403/400	PCS
*	330010004079	無毒標籤:35*22MM	42/400	PCS
*	390	PE BAG:30*28*0.08MM	1/400	PCS
*	390	CARTON:46*30*20CM	1/400	PCS
*	390	PE BAG:6*8*0.06MM	1/10	PCS
*	370	PE BAG:3.5*3.5*0.06MM	1	PCS
9	120010000031	PVC-BLACK10/50	6.5	G
8	230020000018	SOL-WIRE-FULL TIN-1.2	2.0	G
7	210010000096	FOIL-CU18*45MM	1	PCS
6	210030000144	HI TEAMP TAPE:W:8MM,L:70MM	1	PCS
5	120020000001	PE-5321	3.5	G
4	230020000014	SOL-WIRE-FULL TIN-1.0	1.0	G
3	PDN0027A	PCB : DN0027(兩端第14PIN斷開)	1	PCS
2	220050000107	HDMI母環套(廣立)外購	2	PCS
1	110640000065	HDMI A type Conn ,FEMALE(夾板式)	2	PCS

RoHS COMPLIANT

OUTER MOLDING	MG HDMI-HDMI170		
INNER MOLDING	MG HDMI-HDMI171		
		ITEM: AB560-R	REV: R
DRAWN BY: ZHONG		SCALE: NONE	DATE: 2006-10-31
CHECKED BY:		PAGE: 1/1	
APPROVED BY:			
ALL DIMENSIONS IN mm (UNLESS OTHERWISE SPECIFIED)			